

Bälz-electrodyn - control valves and control actuators

3.4 Valve serie baelz 340-B and 340-BB - available in stainless steel - 2-way valve

High volume selling universal 2-way valve, based on a 3-way body

Checklist:

ND: 15 - 300
 NP: 16 / 25 / 40
 standard body:
 NP 16 + NP 25:
 GJS-400-18-LT (GGG 40.3)
 NP 40: GP240GH (GS-C25)
 temperatures:
 min.: -10°C
 max.: +240°C or
 +350°C type K
 for hot oil / bellows type:
 type K-SS: 350°C
 spindle Ø: 10 mm
 S 21: ND 15 - 125
 spindle Ø: 22 mm
 S 31 / 41: ND 150 - 300

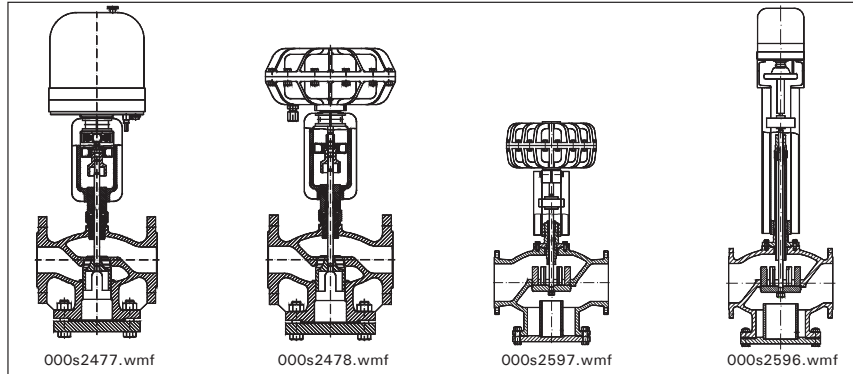


Fig. 25

motorized valve ND 15 - 125 pneumatic valve ND 15 - 125 up to 240°C motorized / pneumatic valve ND 150 - 300 mm over 240°C up to 350°C

ND	15	20	25	32	40	50	65	80	100	125	150	200	250	300	*3	
Kvs	2,0	3,0	5,6	6,3	9	16	25	36	63	105	130	200	360	580	960	1340

*3

available Kvs values
see page 5



340-B-DN32-E07.JPG

Fig. 26
baelz 340-B with 373-E07



340-B-DN40-P21.JPG

Fig. 27
baelz 340-B with 373-P21



340-BB-E88-DN200.JPG

Fig. 28
baelz 340-BB with 373-E88

Rights reserved to make technical changes

Bälz-electrodyn - control valves and control actuators

Text for quotations + orders:

We recommend to install ahead of each control valve a strainer baelz 70200.
2-way control valve with electric*¹ or with pneumatic actuator*²
and i/p positioner
baelz 340-B-373-XX
 with equal percentage V-port plug
 Kv_{so} = 0.004%
 body material ND 15 - 125: GJS-400-18-LT – JS 1025 (GGG 40.3)
 trim in stainless steel
 stuffing box: V-rings in PTFE
 max. 240°C/11 bar or max. 120°C/16 bar
 stroke ND 15 - 25: 12 mm
 ND 32 - 125: 22 mm
 flow m³/h or kg/h of steam/water/....
 pressure drop Δp_{100} = bar
 max. closing pressure Δp_0 = bar*⁴

*1
 electric actuator
 see 373-EXX page 81 - 90

*2
 pneumatic actuator
 see 373-PXX page 104 - 110

*4
 pressure Δp_0
 see page 7 - 9

Control valve type 340-B-373-XX			NP 16					
			with motorized actuator XX = 373-E07-20-18-S21-230			with motorized actuator XX = 373-E40-40-20-S21-230		
ND	stroke [mm]	Kvs [m ³ /h]	Δp_0 max. [bar]	Order No.		Δp_0 max. [bar]	Order No.	
15	12	5.6	16	340-2115				
20	12	6.3	16	340-2116				
25	12	9	16	340-2117				
32	22	16	16	340-2118				
40	22	25	12	340-2119				
50	22	36	8	340-2120		16	340-2320	
65	22	63	4.6	340-2121		10	340-2321	
80	22	105	2.9	340-2122		6.9	340-2322	
100	22	130	1.7	340-2123		4.4	340-2323	
125	22	200	1	340-2124		2.8	340-2324	

Control valve type 340-B-373-XX			NP 16			
			with pneumatic actuator and i/p positioner XX = 373-P21-YY-Fu-S21-86/IP8000-M			
ND	stroke [mm]	Kvs [m ³ /h]	YY	Δp_0 max. [bar]	Order No.	
15	12	5.6	06	16	340-2615	
20	12	6.3	06	16	340-2616	
25	12	9	06	16	340-2617	
32	22	16	06	16	340-2618	
40	22	25	06	13.5	340-2619	
50	22	36	06	8.9	340-2620	
65	22	63	12	8	340-2621	
80	22	105	18	7	340-2622	
100	22	130	V6	8	340-2623	
125	22	200	V6	5	340-2624	

strainer type 70200 NP 16 GJS-400-18-LT (GGG 40.3) max. 300°C/10 bar - 120°C/16 bar		
ND	Order No.	
15	70200-049	
20	70200-050	
25	70200-051	
32	70200-052	
40	70200-053	
50	70200-054	
65	70200-055	
80	70200-056	
100	70200-057	
125	70200-058	

Supplement for potentiometer 5 k Ω and sequence amplifier baelz 1020-230-M for baelz 373-E07 to receive a positioning signal 0-10 V or 4-20 mA
 Supplement for potentiometer 5 k Ω and sequence amplifier baelz 1020-230-M for baelz 373-E40 to receive a positioning signal 0-10 V or 4-20 mA
 Supplement for potentiometer 5 k Ω and sequence amplifier baelz 1020-230-M for baelz 373-E11 to receive a positioning signal 0-10 V or 4-20 mA
 Supplement for 3-way solenoid valve baelz 268/2-230-M for baelz 373-P21
 Supplement for air pressure reduction set baelz 54298-¼"-M
 Supplement for feedback potentiometer 0-5 k Ω : baelz 373-E07-Fg-5k Ω
 baelz 373-E40-Fg-5k Ω
 baelz 373-E11-Fg-5k Ω
 Supplement for spring return actuator baelz 373-E11-20-17 with 2000 N instead of baelz 373-E07

Rights reserved to make technical changes