

**Bälz-electrodyn - control valves and control actuators**

**3.6 Valve serie baelz 340-BK-SS and baelz 340-BBK-SS**

**Checklist:**

ND: 15 - 300  
 NP: 16 / 25 / 40  
 standard body:  
 NP 16 + NP 25:  
 GJS-400-18-LT (GGG 40.3)  
 NP 40: GP240GH (GS-C25)  
 temperatures:  
 min.: -10°C  
 max.: +350°C  
 spindle Ø: 10 mm  
 S 21: ND 15 - 125  
 spindle Ø: 22 mm  
 S 31 / 41: ND 150 - 300

**Text for quotations + orders:**

**2-way control valve with bellows**

**baelz 340-BK-SS NP 16**

without actuator\*1\*2

Kvso = 0.004%

body material : GJS-400-18-LT – JS 1025  
 (GGG 40.3)

internal parts : stainless steel

stuffing box : with bellows and safety gland

medium : hot oil

**temperature/pressure max.**

ND	15-125	150	200	250	300
°C/bar	350/8	350/8	350/6	350/3	350/2
°C/bar	120/16	120/10,6	120/6,7	120/3,8	120/2,2

stroke ND 15 – 25 :12 mm  
 ND 32 – 125 :22 mm  
 ND 150 :44 mm  
 ND 200 – 300 :66 mm

flow : .....

pressure drop

$\Delta p_{100}$  : ..... bar

max. closing pressure\*4

$\Delta p_0$  : ..... bar

\*3

ND	15			20	25	32
Kvs	2,0	3,0	5,6	6,3	9	16
ND	40	50	65	80	100	125
Kvs	25	36	63	105	130	200
ND	150	200	250	300		
Kvs	360	580	960	1340		

\*3

\*4

available Kvs values  
 see page 5

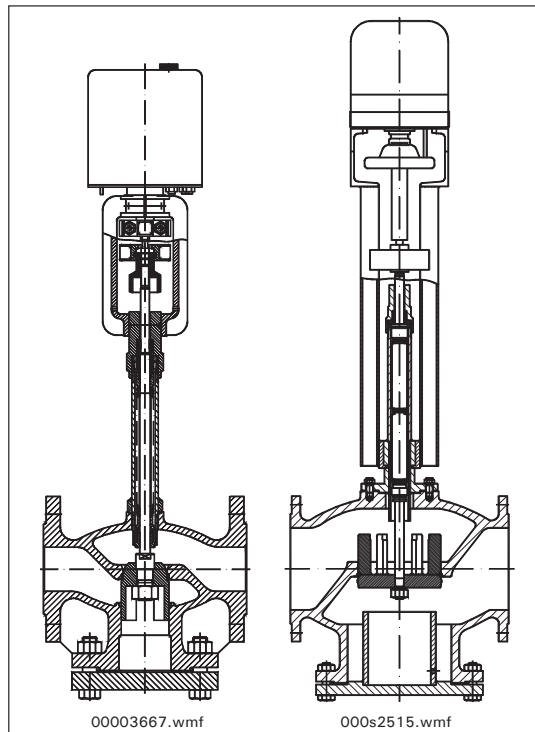
pressure  $\Delta p_0$   
 see page 7 - 9

\*1

electric actuator  
 see 373-EXX page 81 - 90

\*2

pneumatic actuator  
 see 373-PXX page 104 - 110



**Fig. 31**

baelz 340-BK-SS with  
 373-E07

baelz 340-BBK-SS with  
 373-E60



340-BK-SS-DN65-P21-IP86.JPG

**Fig. 32**

baelz 340-BK-SS with  
 373-P21 and IP86



340-BBK-SS-DN150-PN16-P31-IP86.JPG

**Fig. 33**

baelz 340-BBK-SS with  
 373-P31 and IP86

Rights reserved to make technical changes