

Bälz-electrodyn - control valves and control actuators

17. Additional parts to be incorporated into the electrical actuators on request

baelz 376-2EZ	2 end position switches
baelz 376-Fg ... Ohm	1 feedback potentiometer 200 Ohm or 5 kOhm
baelz 376-2EZ-Fg ...Ohm	with 2 end position switches and feedback potentiometer
baelz 376-Hz	with electrical heating against condensing water
baelz 1017	with feedback signal for position 4 - 20 mA; baelz 376-Fg 5 kOhm is needed for this application
baelz 1020	with electronic positioner baelz 1020 for a positioning signal of 0 / 2 - 10 V or 0 / 4 - 20 mA; baelz 376-Fg 5 kOhm is needed for this application
baelz 1522	relays for actuators with DC motor
baelz 7020	digital positioner

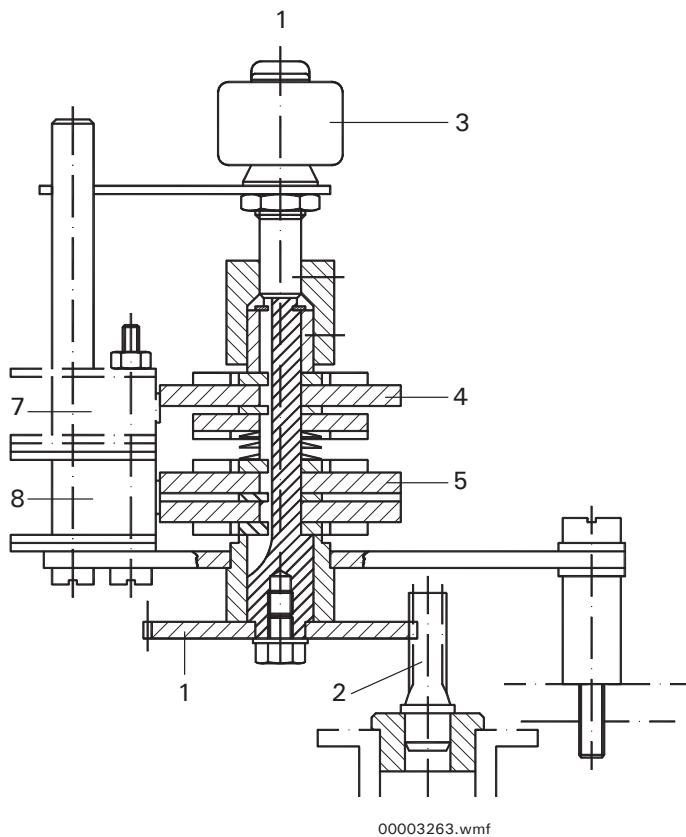


Fig. 159
Feedback potentiometer + 2 end switches mounted on an actuator

- 1: main pinion
- 2: toothed spindle
- 3: potentiometer
- 4 / 5: cams to operate the end switches
- 7 / 8: end switches

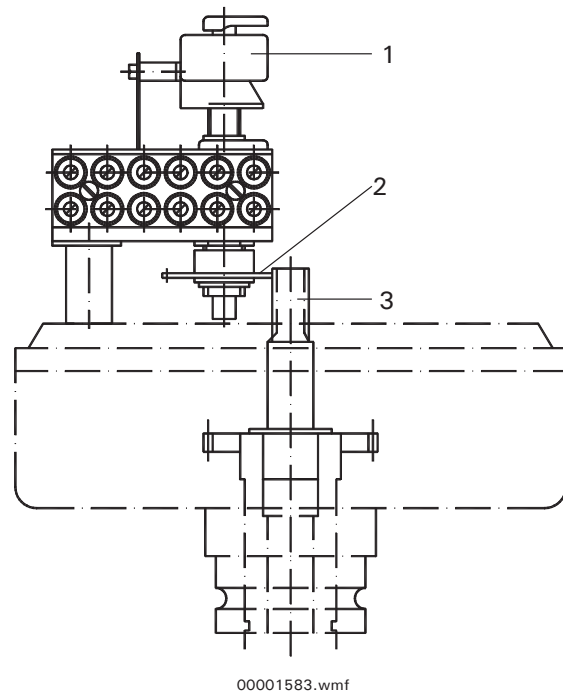


Fig. 160
Feedback potentiometer mounted in the actuator

- 1: potentiometer
- 2: main pinion
- 3: toothed spindle

Rights reserved to make technical changes

Bälz-electrodyn - control valves and control actuators

17.1 Electronic positioner baelz 1020 for motorized actuators baelz 373-E02, 373-E06, 373-E07, 373-E11, 373-E40, 373-E60

The electronic positioner baelz 1020 is designed for being incorporated within the motorized actuators under the cover or at the yoke or in an electric panel on rails.

It uses an external signal of 0/4 - 20 mA or 0/2 - 10 V to position a motorized actuator with a feedback potentiometer of 0 - 5 kΩ.

Technical data:

power supply : either 24 or 115 or 230 V AC
 input signal : selectable by switches 0...10 V, 2...10 V or 0...20 mA, 4...20 mA
 differential open / close : 0.6% - 2.7%
 power consumption : 4 VA at 24 V, 50/60 cycles
 protection class : IP 00

A separate power supply unit for 230 V baelz 1020-SVA is available.

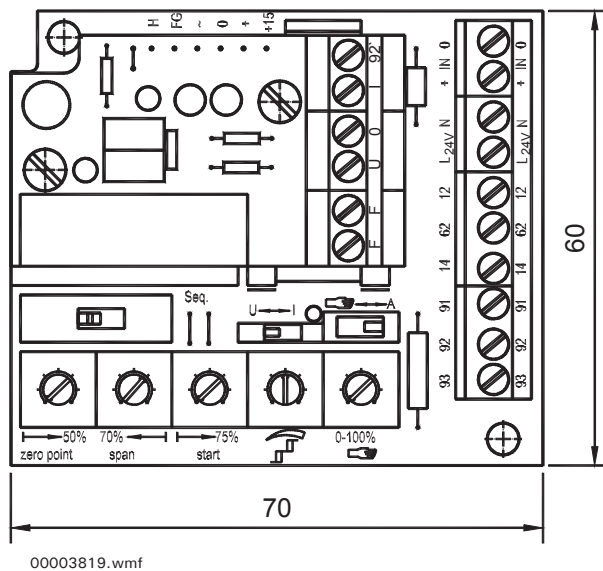
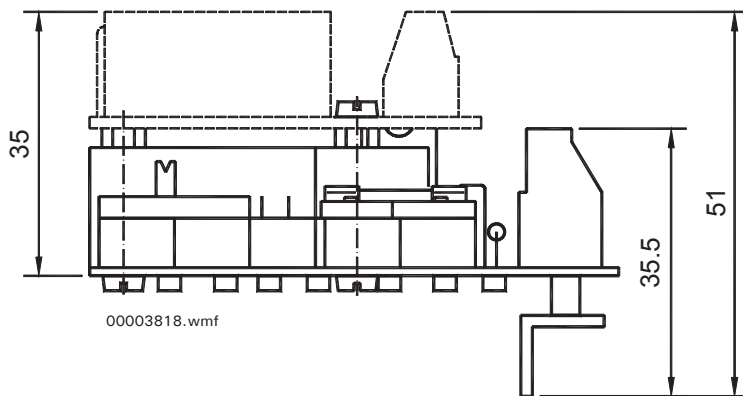


Fig. 161
 electronic positioner baelz 1020



Fig. 162
 baelz 373-E07-Fg-1020



Fig. 163
 baelz 373-E40-Fg-1020



Fig. 164
 baelz 373-E60-Fg-1020



Fig. 165
 baelz 373-E11-Fg-1020

Rights reserved to make technical changes

Bälz-electrodyn - control valves and control actuators

17.2 Digital positioner baelz 7020 for motorized actuators baelz 373-E02, 373-E06, 373-E07, 373-E11, 373-E40, 373-E60

The digital positioner baelz 7020 is designed for being incorporated within the motorized actuators under the cover or at the yoke or in an electric panel on rails.

It uses an external signal of 0/4 - 20 mA or 0/2 - 10 V to position a motorized actuator with or without a feedback potentiometer of 0 - 5 kΩ; with a one-digit display and 3 push-buttons, to set its parameters; with a serial SV-interface for an easy and comfortable setting procedure. RS 485-interface Modbus RTU mode is available.

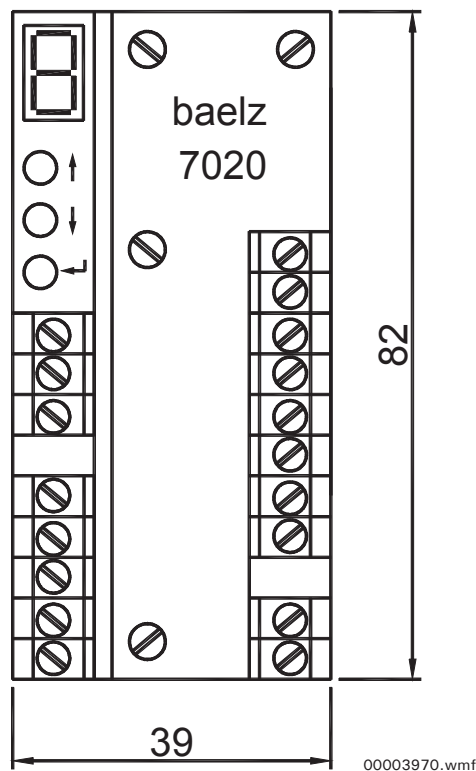
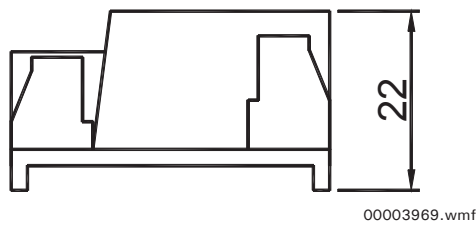


Fig. 166
digital positioner baelz 7020



Fig. 167
baelz 373-E07-Fg-7020



Fig. 168
baelz 373-E40-Fg-7020



Fig. 169
baelz 373-E60-Fg-7020



Fig. 170
baelz 373-E11-Fg-7020

Bälz-electrodyn - control valves and control actuators

18. Wiring diagrams

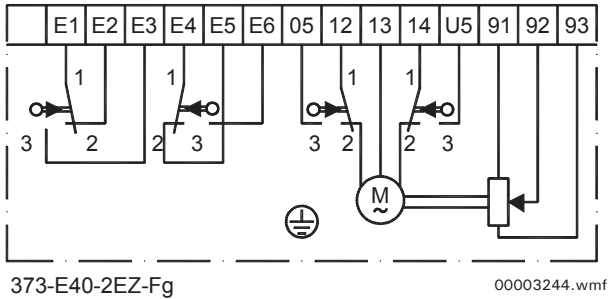


Fig. 171
wiring diagram of an electric actuator baelz 373-E40 with its 2 motor end switches at right hand, 1 feedback potentiometer 0 - 5 kOhm and at left 2 additional end switches.

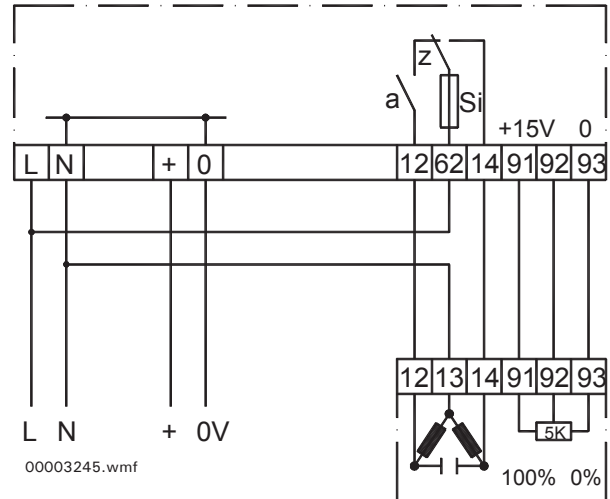


Fig. 172
wiring diagram of a 24 V, 50 / 60 Hz actuator with electronic positioner baelz 1020 and feedback potentiometer positioning signal can be 0 / 2 - 10 V or 0 / 4 - 20 mA, serval options available.

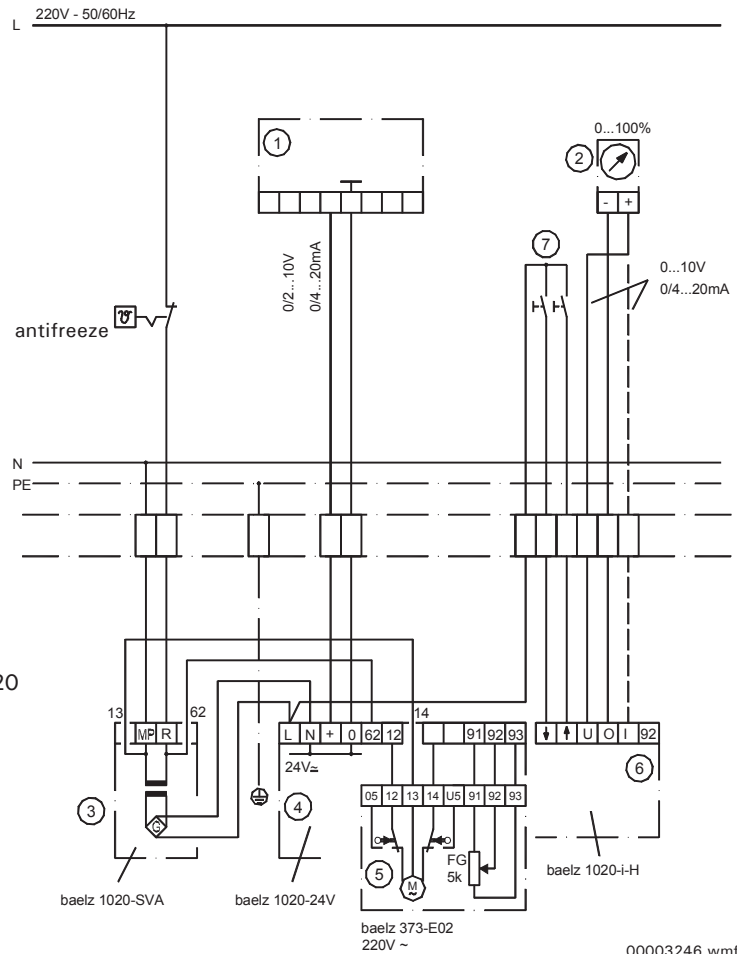


Fig 173
wiring diagram of electronic positioner baelz 1020 integrated into actuator baelz 373-E02 with feedback potentiometer; baelz 1020 here with 3 options: 2 manual overrides to open and close and a separate position indication signal.

Rights reserved to make technical changes