

Bälz-electrodyn - control valves and control actuators

23. Short presentation of all pneumatic actuators from baelz 373-P21 to baelz 373-P41

23.1 Actuator baelz 373-P21

Text for quotations + orders:

Linear pneumatic actuator

baelz 373-P21-...-S21

P21-Fu (springs on the bottom) pulling by the spring force and pushing by the compressed air

P21-Fo (springs on the top) pushing by the spring force and pulling by the compressed air

for spindle diameter : 10 mm

diaphragm : NBR

ambient conditions : 0...70°C, 0...90% r.F.

H21 : hand operation

P21-... -H21 : hand wheel-Ø 140 mm

P21-V6-H21 : hand wheel-Ø 200 mm

P21- 3-Fo/Fu : weight approx. 5.3 kg

P21- 6-Fo/Fu : weight approx. 5.6 kg

P21- 12-Fo/Fu : weight approx. 5.9 kg

P21- 18-Fo/Fu : weight approx. 6.0 kg

P21-V6-Fo/Fu : weight approx. 8.8 kg

hand operation : weight approx. 2.0 kg

TÜV-tested (P21-6-Fu, P21-12-Fu, P21-18-Fu, P21-V6-Fu)

necessary compressed air pressure: max. 6 bar

Extra charges:

diaphragm: silicon

max. ambient temperature: 90°C

mechanical stroke limiting

polyester-plating

for linear pneumatic actuator

suitable for water pressure admission

internal and external plating

incl. actuator-yoke, screws

Yoke, screws and mounting parts in stainless steel

black Polyester-plating, RAL 9005

max. ambient temperature: 50°C

damping container for water D21 without response throttle

damping container for water D21/1 with response throttle

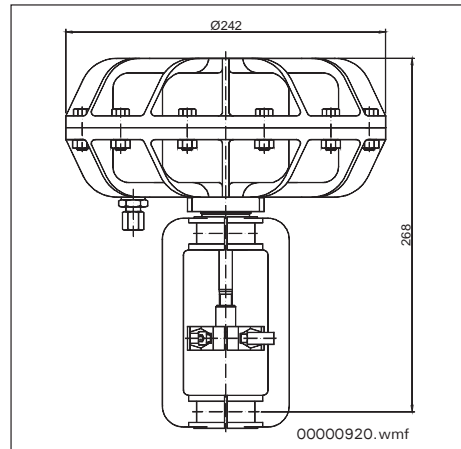


Fig. 234
actuator baelz 373-P21-S21

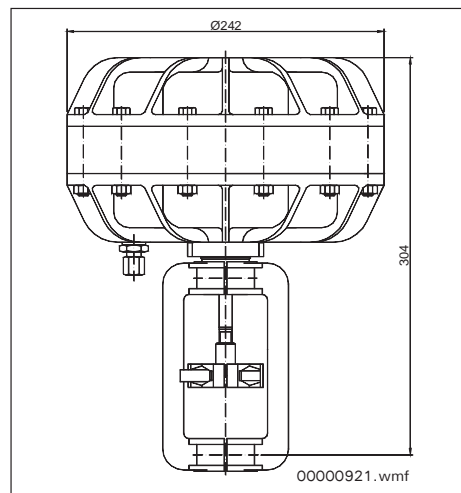


Fig. 235
actuator baelz 373-P21-V6-S21



Fig. 236
actuator baelz 373-P21



Fig. 237
actuator baelz 373-P21-V6

Rights reserved to make technical changes

Bälz-electrodyn - control valves and control actuators

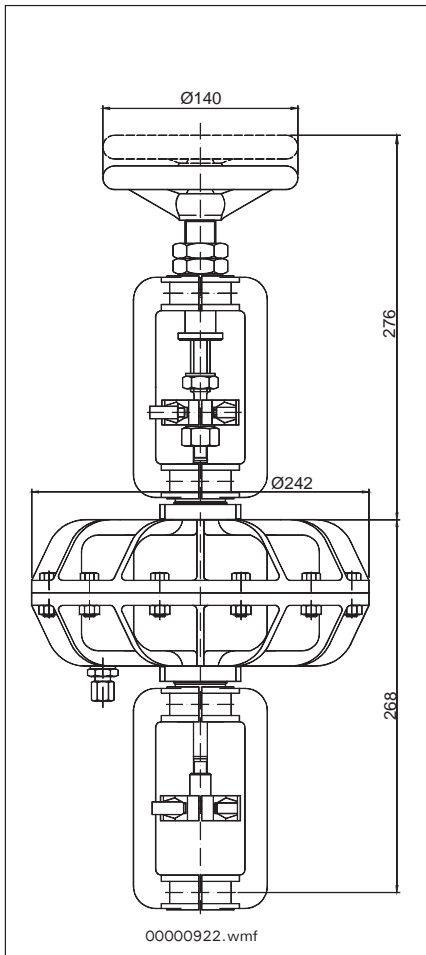


Fig. 238
actuator baelz 373-P21-S21-H21



Fig. 239
actuator baelz 373-P21-H21

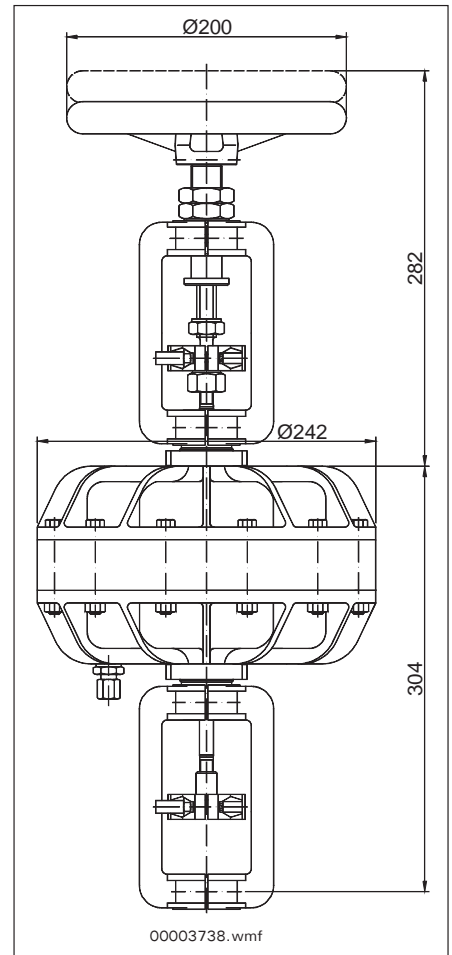


Fig. 240
actuator baelz 373-P21-V6-S21-H21