

Bälz-electrodyn - control valves and control actuators

23.3 Actuator baelz 373-P31

Text for quotations + orders:

Linear pneumatic actuator

baelz 373-P31-S31

for control or ON/OFF operation

P31-Fu (springs on the bottom) pulling by the spring force and pushing by the compressed air

P31-Fo (springs on the top) pushing by the spring force and pulling by the compressed air

ambient conditions : 0...50°C, 0-90% r.F.

not condensing

H31 : hand operation

P31- 3-Fo/Fu : weight approx. 27.7 kg

P31- 6-Fo/Fu : weight approx. 29.5 kg

P31- 18-Fo/Fu : weight approx. 32.5 kg

hand operation : weight approx. 11.0 kg

for valves **without cooling tube** ND 150 up.
necessary compressed air pressure: max. 6 bar

Linear pneumatic actuator

baelz 373-P31-...-S31C

For valves **with cooling tube** ND 150 up.

P31- 3-Fo/Fu : weight approx. 31.7 kg

P31- 6-Fo/Fu : weight approx. 33.5 kg

P31- 18-Fo/Fu : weight approx. 36.5 kg

hand operation : weight approx. 11.0 kg

necessary compressed air pressure: max. 6 bar

Extra charges:

damping container for water D31 without response throttle

damping container for water D31/1 with response throttle

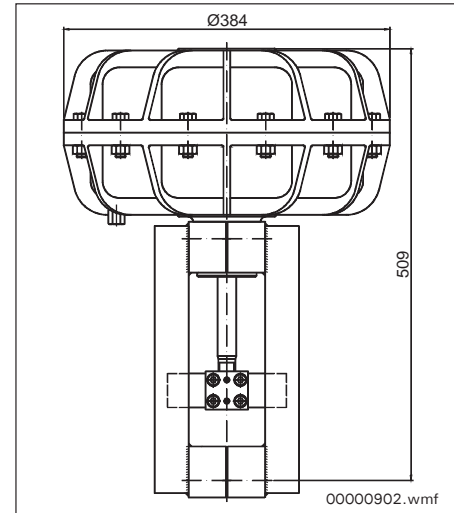


Fig. 243
actuator baelz 373-P31-S31

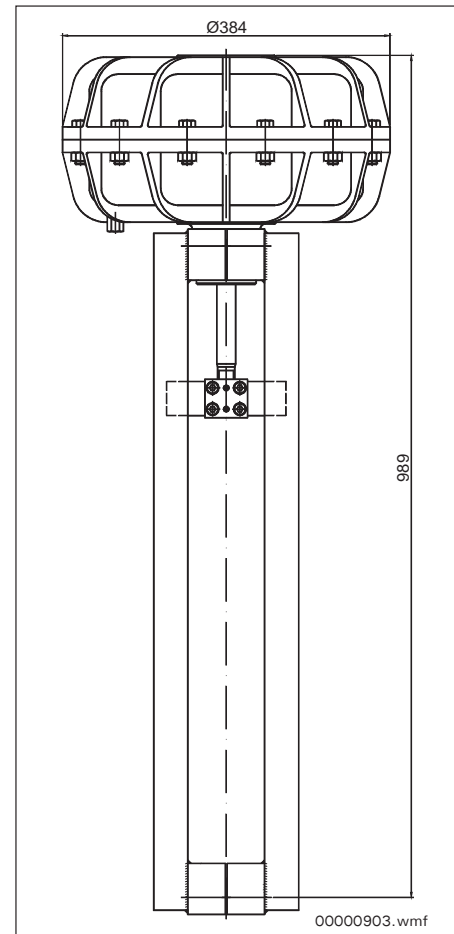


Fig. 246
actuator baelz 373-P31-S31C

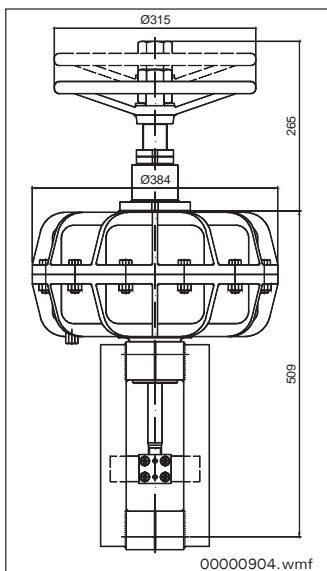


Fig. 244
actuator baelz 373-P31-S31-H31



Fig. 245
actuator baelz 373-P31

Rights reserved to make technical changes