

Bälz-electrodyn - control valves and control actuators

23.4 Actuator baelz 373-P32

Text for quotations + orders:

Linear pneumatic actuator

baelz 373-P32-6-Fo-S31

6 springs on the top, pushing by the spring force and pulling by the compressed air

for stroke 66 mm

differential pressure on demand

weight approx. 36.0 kg

necessary compressed air pressure : 3 bar

Extra charges:

damping container for water D31 without response throttle

damping container for water D31/1 with response throttle

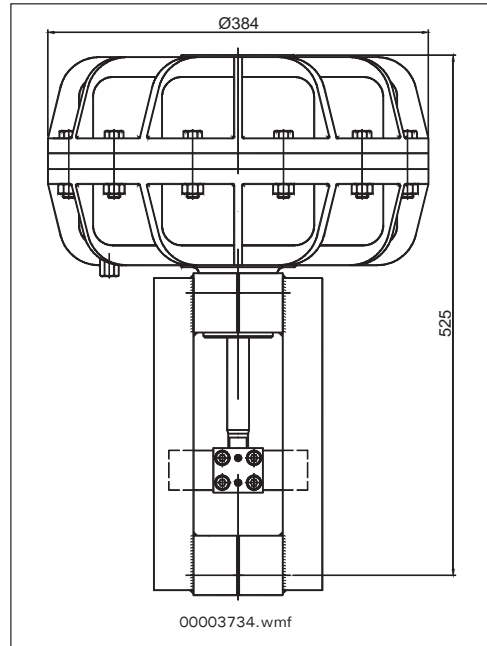


Fig. 247
actuator baelz 373-P32-S31



Fig. 248
actuator baelz 373-P32