

**Bälz-electrodyn - control valves and control actuators**

**23.5 Actuator baelz 373-P41**

**Text for quotations + orders:**

**Linear pneumatic actuator**

**baelz 373-P41-S31**

for control or ON/OFF operation

**P41-Fu** (springs on the bottom) pulling by the spring force and pushing by the compressed air

**P41-Fo** (springs on the top) pushing by the spring force and pulling by the compressed air

ambient conditions : 0...50°C, 0-90% r.F.

not condensing

H31 : hand operation

P41- 3-Fo/Fu : weight approx. 55.5 kg

P41- 6-Fo/Fu : weight approx. 58.5 kg

P41-V6-Fo/Fu : weight approx. 62.5 kg

hand operation : weight approx. 11.0 kg

for valves **without cooling tube** ND 200 up  
 necessary compressed air pressure : max. 6 bar

**Linear pneumatic actuator**

**baelz 373-P41-S31C**

For valves **with cooling tube** ND 200 up.

P41- 3-Fo/Fu : weight approx. 59.5 kg

P41- 6-Fo/Fu : weight approx. 62.5 kg

P41- 18-Fo/Fu : weight approx. 66.5 kg

hand operation : weight approx. 11.0 kg

necessary compressed air pressure : max. 6 bar

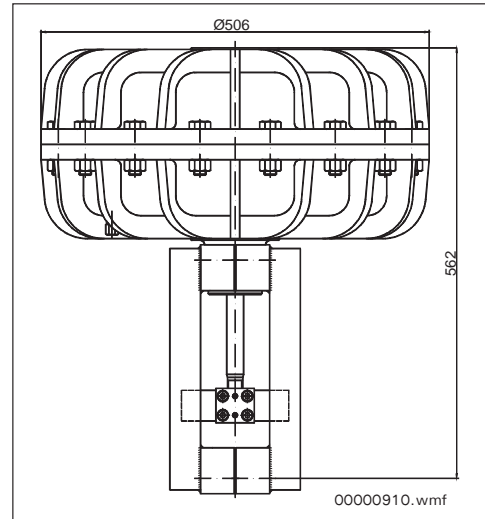
Extra charges:

**damping container for water** D41 without response throttle

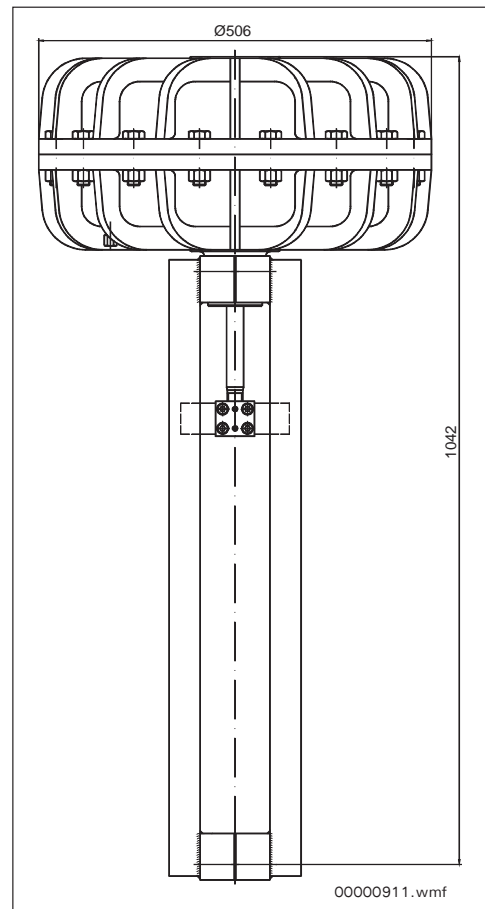
**damping container for water** D41/1 with response throttle



**Fig. 251**  
 actuator baelz 373-P41



**Fig. 249**  
 actuator baelz 373-P41-S31

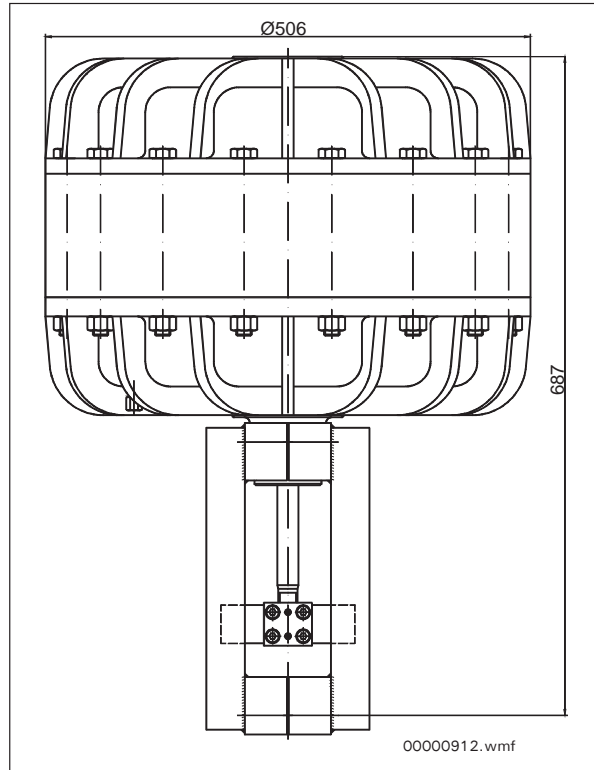


**Fig. 250**  
 actuator baelz 373-P41-S31C

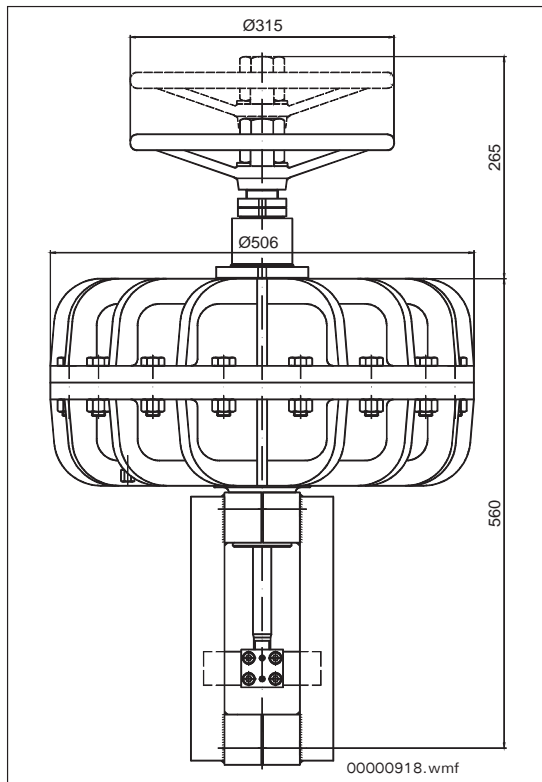
**Bälz-electrodyn - control valves and control actuators**



**Fig. 252**  
actuator baelz 373-P41-V6



**Fig. 253**  
actuator baelz 373-P41-V6-S31



**Fig. 254**  
actuator baelz 373-P41-S31-H31

Rights reserved to make technical changes