

Bälz-electrodyn - control valves and control actuators

3.3 Valve serie baelz 334

For HVAC 2-way valve, in bronze, externally threaded

Checklist:
 ND: 1/2 - 1 1/2"
 NP: 16 / 25
 body: red bronze Rg5
 temperatures:
 min.: -10°C
 max.: +140°C *
 externally threaded
 * with silicone o-ring
 max.: +190°C

ND	1/2	3/4	1	1 1/4	1 1/2	*3
Kvs	3,5	5	9	16	22	

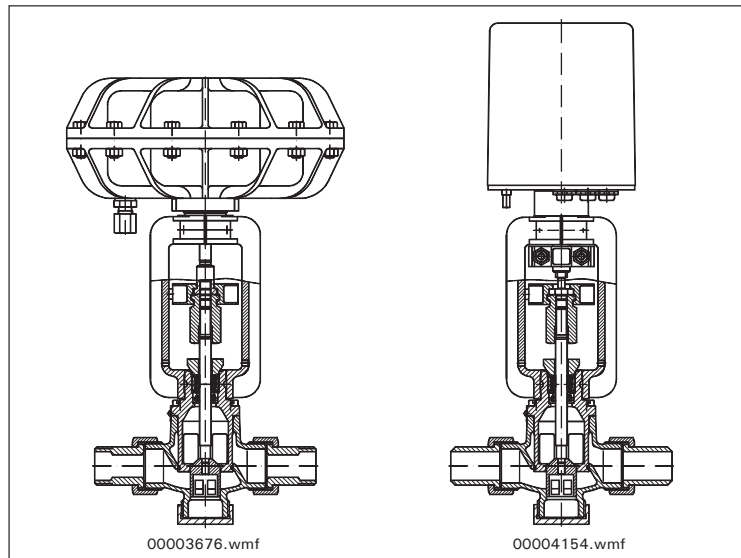


Fig. 23
 334-373-P21
 with threaded socket

334-373-E07
 with weld-on socket

Text for quotations + orders:

2-way control valve baelz 334 NP 16/25
 without actuator*1*2
 Kvso = 0.004%
 body/seat : red bronze Rg5
 plug/spindle : stainless steel
 stuffing box : V-rings in PTFE
 temp./pressure : max. -10... +140°C/22 bar
 connection : with union nut in brass
 and weld-on socket or
 threaded socket
 stroke : 12 mm
 flow :
 pressure drop
 Δp₁₀₀ : bar
 max. closing pressure*4
 Δp₀ : bar

*1
 electric actuator
 see 373-EXX page 81 - 90

*3
 available Kvs values
 see page 5

*2
 pneumatic actuator
 see 373-PXX page 104 - 110

*4
 pressure Δp₀
 see page 7 - 9



334-E07-DN½.JPG

Fig. 24 2-way valve for HVAC applications

Rights reserved to make technical changes