

**Bälz-electrodyn - control valves and control actuators**

**3.5 Valve serie baelz 340-ES-AS and 340-ES-MS in stainless steel**

**Checklist:**

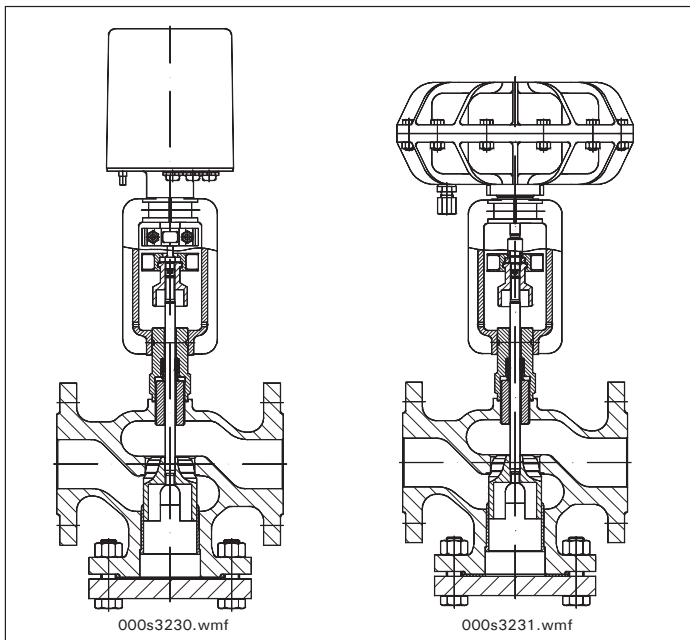
ND: 25 + 50  
 NP: 16 / 25 / 40  
 body:  
 GX3CrNiMo13-4 (1.4313)  
 temperatures:  
 min.: -10°C  
 max.: +240°C or  
 +350°C type K  
 for hot oil / bellows type:  
 type K-SS: 350°C  
 spindle Ø: 10 mm

**Text for quotations + orders:**

**2-way control valve in stainless steel**  
**baelz 340-ES-AS NP 16/25/40**  
 without actuator\*1\*2  
 Kvso = 0.004%  
 body material : GX3CrNiMo13-4 - 1.4313  
 internal parts in contact with the medium  
 : X6CrNiMoTi17-12-2 - 1.4571  
 stuffing box : V-rings in PTFE  
 NP 16 max. : 240°C/14 bar-120°C/16 bar  
 NP 40 max. : 240°C/35 bar-120°C/40 bar  
 stroke ND 15 – 25: 12 mm  
 ND 32 – 125: 22 mm  
 flow : .....  
 pressure drop  
 $\Delta p_{100}$  : ..... bar  
 max. closing pressure\*4  
 $\Delta p_0$  : ..... bar

|     |    |    |
|-----|----|----|
| ND  | 25 | 50 |
| Kvs | 9  | 36 |

\*3



**Fig. 29**

baelz 340-ES with 373-E07

baelz 340-ES with 373-P21

\*1

electric actuator  
 see 373-EXX page 81 - 90

\*2

pneumatic actuator  
 see 373-PXX page 104 - 110

\*3

available Kvs values  
 see page 5

\*4

pressure  $\Delta p_0$   
 see page 7 - 9



340-ES-E11-DN50.JPG

**Fig. 30**

baelz 340-ES with 373-E11

Rights reserved to make technical changes