

Bälz-electrodyn - control valves and control actuators

3.11 Valve serie baelz 346-22

standard 2-way control valve for high differential pressures

Checklist:
 ND: 65 - 125
 NP: 16 / 25 / 40
 standard body:
 NP 16 + NP 25:
 GJS-400-18-LT (GGG 40.3)
 NP 40:
 GP240GH (GS-C25)
 temperatures:
 min.: -10°C
 max.: +240°C or
 +350°C type K
 for hot oil / bellows type:
 type K-SS-S31
 spindle Ø: 22 mm

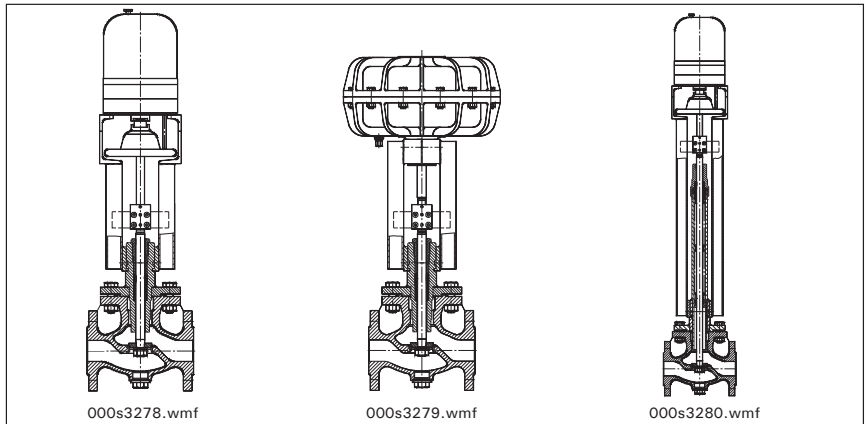


Fig. 42
 346-22 with 373-E60 346-22 with P31-Fo 346-22-K-SS with 373-E60

Text for quotations + orders:

2-way control valve
baelz 346-22 NP 16
 without actuator*1*2
 $Kv_{so} = 0.004\%$
 with stronger spindle for higher pressures
 spindle-Ø 22 mm
 suitable for mounting of 373-E60, -E88, -P31-18-Fo
 body material : GJS-400-18-LT – JS1025
 (GGG 40.3)
 internal parts : stainless steel
 stuffing box : V-rings in PTFE
 temp./pressure : max. 240°C/11 bar - 120°C/16 bar
 flow :
 pressure drop
 Δp_{100} : bar
 max. closing pressure*4
 Δp_0 : bar

ND	65	80	100	125	*3
Kvs	63	105	130	200	

*1
 electric actuator
 see 373-EXX page 81 - 90

*2
 pneumatic actuator
 see 373-PXX page 104 - 110

*3
 available Kvs values
 see page 5

*4
 pressure Δp_0
 see page 7 - 9



346-22-DN125-P31-1.JPG

Fig. 43
 346-22 with 373-P31