

Bälz-electrodyn - control valves and control actuators

3.12 Valve serie baelz 356

standard 2-way control valve 356 NP 16 / 25 / 40

Checklist:

ND 15 - 65

NP 16 / 25 / 40

standard body:

C 22.8

special executions:

in stainless steel 1.4571

temperatures:

min.: -10°C

max.: 240°C / max.: 350°C type K

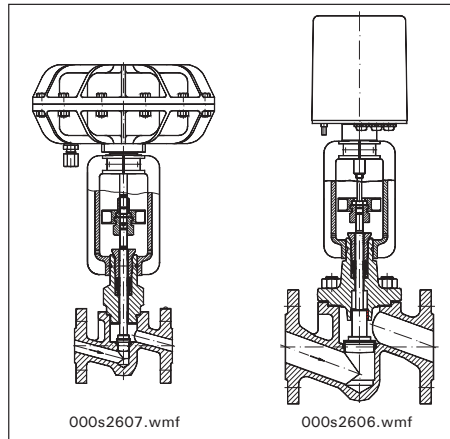


Fig. 44

356-373-P21

356-373-E07



356-DN25-P21.JPG

Fig. 45

356 with 373-P21



356-DN40-E07.JPG

Fig. 46

356 with 373-E07

Rights reserved to make technical changes

Bälz-electrodyn - control valves and control actuators

Text for quotations + orders:

We recommend to install ahead of each control valve a strainer baelz 70200.

2-way control valve with electric*¹ or with pneumatic actuator*² and i/p positioner

baelz 356-373-XX

with parabolic equal percentage plug

Kv_{so} = 0.004%

body material

ND 15 – 25: stainless steel X6CrNiMoTi 17-12-2 – 1.4571 (baelz 356-MS)

ND 32 – 65: forged steel P250GH – 1.0460 (C22.8)

trim in stainless steel

stuffing box: V-rings in PTFE

NP 16: max. 240°C/13.2 bar or max. 120°C/16 bar

NP 40: max. 240°C/30 bar or max. 120°C/40 bar

stroke: ND 15 – 25: 16 mm

ND 32 – 65: 22 mm

flow m³/h or kg/h of steam/water/....

pressure drop Δp_{100} = bar

max. closing pressure Δp_0 = bar*⁴

*1

electric actuator
see 373-EXX page 81 - 90

*2

pneumatic actuator
see 373-PXX page 104 - 110

*3

available Kvs values
see page 5

*4

pressure Δp_0
see page 7 - 9

*3

ND	15	20	25	32
Kvs	3,8	6,5	9,3	14
ND	40	50	65	
Kvs	23	40	63	

Control valve type 356-373-XX			NP 16/25/40						
			with motorized actuator XX = 373-E07-20-18-S21-230				with motorized actuator XX = 373-E40-40-20-S21-230		
ND	stroke [mm]	Kvs [m ³ /h]	NP	Δp_0 max. [bar]	Order No.		NP	Δp_0 max. [bar]	Order No.
15	16	3.8	16/25/40	16/25/40	356-2001				
20	16	6.5	16/25/40	16/25/40	356-2011				
25	16	9.3	16/25/40	16/25/40	356-2021				
32	22	14	16/25/40	16/20	356-2031				
40	22	23	16/25/40	12	356-2041				
50	22	40	16/25/40	8	356-2051		16	16	356-2351
65	22	63	16	4.6	356-2061		16	10	356-2361
65	22	63	25/40	4.6	356-2071		40	10	356-2371

Control valve type 356-373-XX			NP 16			NP 40		
			with pneumatic actuator XX = 373-P21-YY-Fo-S21-86/IP8000-M			with pneumatic actuator XX = 373-P21-YY-Fo-S21-86/IP8000-M		
ND	stroke [mm]	Kvs [m ³ /h]	YY	Δp_0 max. [bar]	Order No.	YY	Δp_0 max. [bar]	Order No.
15	16	3.8	06	16	356-2531	12	40	356-2631
20	16	6.5	06	16	356-2541	12	40	356-2641
25	16	9.3	06	16	356-2551	12	40	356-2651
32	22	14	06	16	356-2561	12	36	356-2661
40	22	23	06	13.5	356-2571	18	27	356-2671
50	22	40	06	8.9	356-2581	V6	34	356-2681
65	22	63	12	8	356-2591	V6	20	356-2691

Supplement for potentiometer 5 k Ω and sequence amplifier baelz 1020-230-M for baelz 373-E07 to receive a positioning signal 0-10 V or 4-20 mA

Supplement for potentiometer 5 k Ω and sequence amplifier baelz 1020-230-M for baelz 373-E40 to receive a positioning signal 0-10 V or 4-20 mA

Supplement for potentiometer 5 k Ω and sequence amplifier baelz 1020-230-M for baelz 373-E11 to receive a positioning signal 0-10 V or 4-20 mA

Supplement for 3-way solenoid valve baelz 268/2-230-M for baelz 373-P21

Supplement for air pressure reduction set baelz 54298-¼"-M

Supplement for feedback potentiometer 0-5 k Ω :
baelz 373-E07-Fg-5k Ω
baelz 373-E40-Fg-5k Ω
baelz 373-E11-Fg-5k Ω

Supplement for spring return actuator baelz 373-E11-20-17 with 2000 N instead of baelz 373-E07

Rights reserved to make technical changes