

Bälz-electrodyn - control valves and control actuators

3.16 New cage valve serie baelz 360-EM-C and 360-EM-CC

Checklist:
 ND 50 - 200
 NP 40 / 63 / 100 / 160
 balanced design; metallic seated
 standard body:
 GP240GH or G17CrMo5-5
 spindle Ø: 16 or 22 mm
 temperatures:
 min.: -10°C
 max.: 250°C
 higher temperature on request

ND	Thrust			
	1000 N	2000 N	4000 N	9000 N
	bar g			
50	18	55	129	
65	17	67	160	
80	11	61	160	
100	2,6	52	151	
125	-	42	142	
150	-	15	68	160
200	-	5,4	58	160

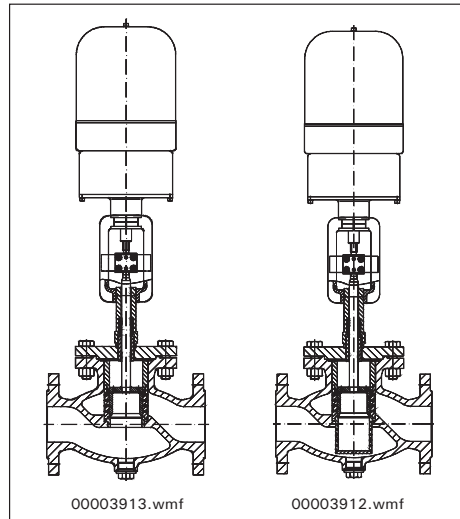


Fig. 53
 360-EM-C-373-E11 360-EM-CC-373-E11



360-EM-C-373-E11-DN100.JPG

Fig. 54
 360-EM-C-373-E11

ND	for closed loop control	on - off	ND	for closed loop control	on - off
50	32	36	125	100	135
65	58	62	150	200	340
80	71	71	200	300	450
100	86	100			

*3
 *3
 available Kvs values
 see page 5

*1
 electric actuator
 see 373-EXX page 81 - 90

*2
 pneumatic actuator
 see 373-PXX page 104 - 110

Text for quotations + orders:
2-way control valve baelz 360-EM-C
NP 40/63/100/160
 balanced, with piston plug in fixed cage
 metallic seated
 without actuator*1*2
 Kvso = 0.05%
 body material
 ND 50 - 200 : GP240GH - 1.0619 (GS-C25)
 G17CrMo5-5 - 1.7357
 (GS-17CrMo55)
 internal parts : stainless steel; guides hardened
 spindle-Ø : 16 mm / 22 mm
 stuffing box : V-rings in PTFE
 NP 40 max. : 250°C / 32 bar
 NP 63 max. : 250°C / 45 bar
 NP 100 max. : 250°C / 70 bar
 NP 160 max. : 250°C / 112 bar
 stroke : 22 - 66 mm
 flow : fluid :
 temperature : °C
 pressure drop Δp_{100} : bar
 max. closing pressure*4
 Δp_0 : bar

Text for quotations + orders:
2-way control valve baelz 360-EM-CC
NP 40/63/100/160
 balanced, with piston plug in fixed cage and
 additional perforated second cage
 metallic seated
 without actuator*1*2
 Kvso = 0.05%
 body material
 ND 50 - 200 : GP240GH - 1.0619 (GS-C25)
 G17CrMo5-5 - 1.7357
 (GS-17CrMo55)
 internal parts : stainless steel; guides hardened
 spindle-Ø : 16 mm / 22 mm
 stuffing box : V-rings in PTFE
 NP 40 max. : 250°C / 32 bar
 NP 63 max. : 250°C / 45 bar
 NP 100 max. : 250°C / 70 bar
 NP 160 max. : 250°C / 112 bar
 stroke : 22 - 66 mm
 flow : fluid :
 temperature : °C
 pressure drop Δp_{100} : bar
 max. closing pressure*4
 Δp_0 : bar

Rights reserved to make technical changes