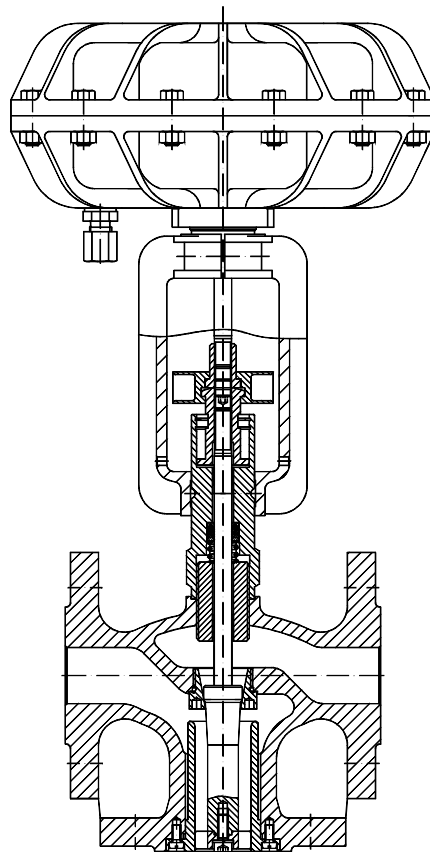


Bälz-vapordynamic steam-water mixing ejector

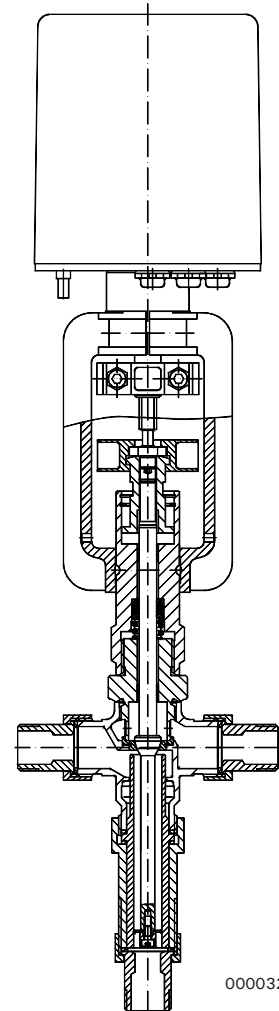
Steam-water mixing ejector flanged baelz 585 in cast spheroidal iron or stainless steel
Steam-water mixing ejector externally threaded baelz 586 in red bronze Rg 5

- Checklist baelz 585:**
 ND 15 - 125 NP 16
 GJS-400-18-CT
 (GGG 40.3)
 GX5CrNiMo19-11
 1.4408 stainless steel
 min.: 5°C
 max.: 200°C
- Checklist baelz 586:**
 ND ¾", 1", 1½"
 Rg 5
 min.: 5°C
 max.: 200°C



000s2838.wmf

steam-water mixing ejector with flanged baelz 585 - 373-P21



00003229.wmf

steam-water mixing ejector externally threaded baelz 586 - 373-E07

max. - load

data	steam 01	cold water 03	hot water 04
pressure	p01* = bar abs	p03 = bar abs	p04 = bar abs
temperature	t01 = °C	t03 = °C	t04 = °C
flow	m01 = kg/h	m03 = kg/h	m04 = kg/h
to heat an accumulator state available volume	m ³		
time to heat up	h		

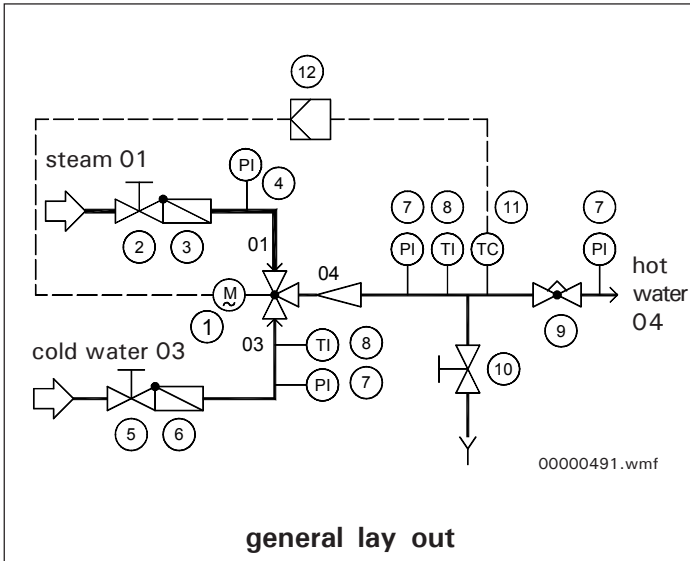
*pressure p01 should be ≥ p03 + 0,5 bar

min. - load

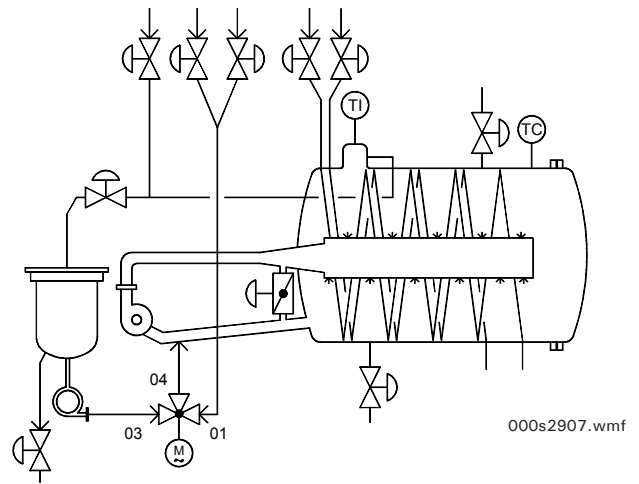
data	steam 01	cold water 03	hot water 04
flow	m01 = kg/h	m03 = kg/h	m04 = kg/h

Bälz-vapordynamic steam-water mixing ejector

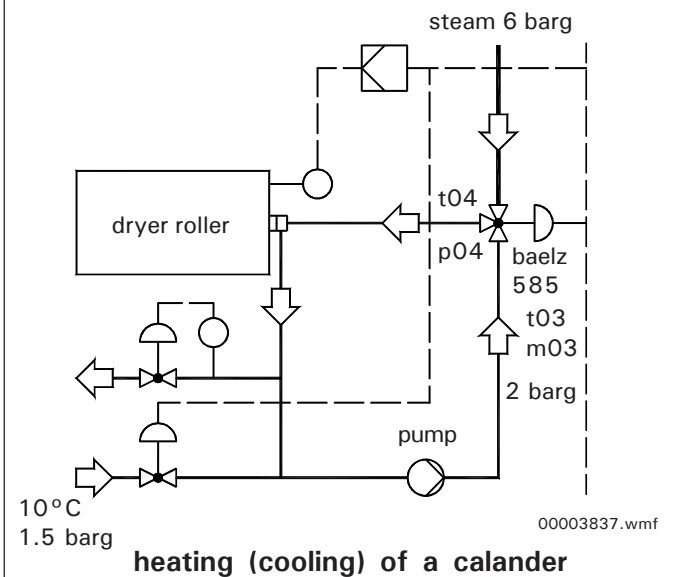
Applications:



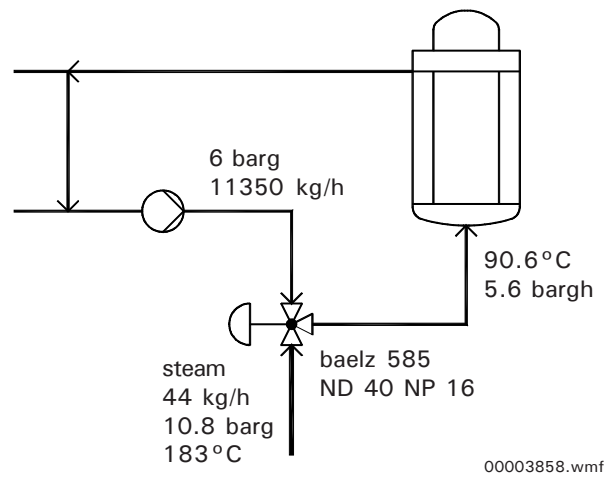
general lay out



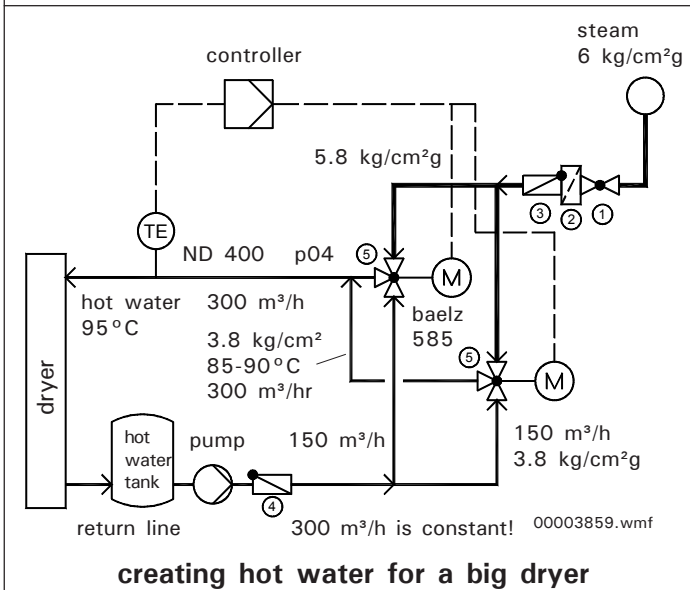
heating up for a dye machine



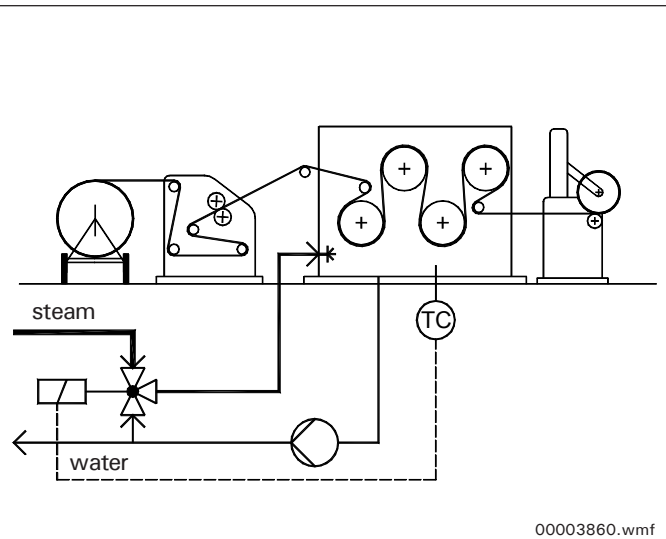
heating (cooling) of a calander



heating of a double jacqueted reactor



creating hot water for a big dryer



washing machine

Rights reserved to make technical changes