

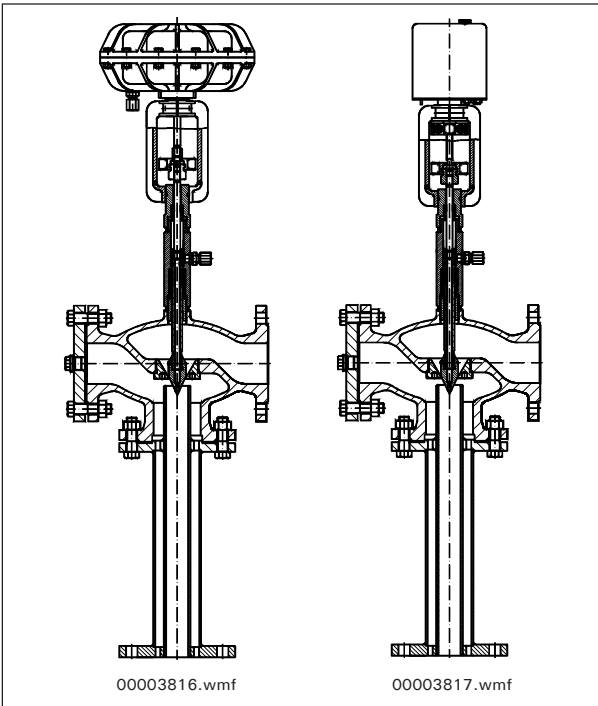
Bälz-vapordynamic - steam conditioner with water injection

Steam conditioner baelz 591

Checklist:
 ND: 32 - 300
 NP: 16 / 25 / 40
 standard body:
 NP 16 + NP 25:
 GJS-400-18-LT (GGG 40.3)
 NP 40: GP240GH (GS-C25)
 temperatures:
 min.: -10°C
 max.: +240°C or
 +350°C type K
 ND 32 - 125 tube-spindle Ø: 16 mm
 ND 150 tube-spindle Ø: 22 mm
 ND 200 - 300 tube-spindle Ø: 36 mm

ND	32	40	50	65
nozzle	12	28	39	50
ND	80	100	125	150
nozzle	62	82	105	105

Short presentation of all electric and pneumatic actuators see BPE 18



steam conditioner with pneumatic actuator
 baelz 591-373-P21-6-Fo-S21
 and with electrical motorized actuator
 baelz 591-373-E07-20-18-S21

Text for quotations + orders:
steam conditioner with water injection
 without actuator
 body material
 NP 16 + NP 25 : GJS-400-18-LT (GGG 40.3)
 NP 40 : GP240GH (GS-C25)
 diffuser material
 NP 16 / 25 / 40 : GJS-400-18-LT (GGG 40.3)
 with welded diffuser, throat in stainless steel
 nozzle, plug and spindle : stainless steel
 stuffing box : V-rings in PTFE
 temp./pressure
 NP 16: max. 240°C/11 bar or max. 120°C/16 bar
 NP 25: max. 240°C/18 bar or max. 120°C/25 bar
 NP 40: max. 240°C/32 bar or max. 120°C/40 bar
 stroke : ND 32 - 125 : 22 / 40 mm
 ND 150 : 44 mm
 ND 200 - 300 : 66 mm

Service conditions:

	01 primary	04 secondary	02 water injection	dB (A)
pressure [bar abs]				
temperature [°C]				
flow [kg/h]				



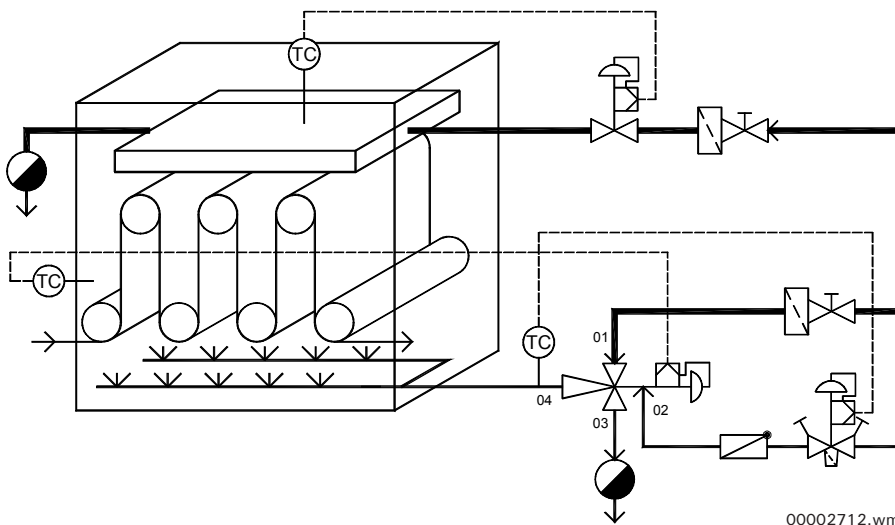
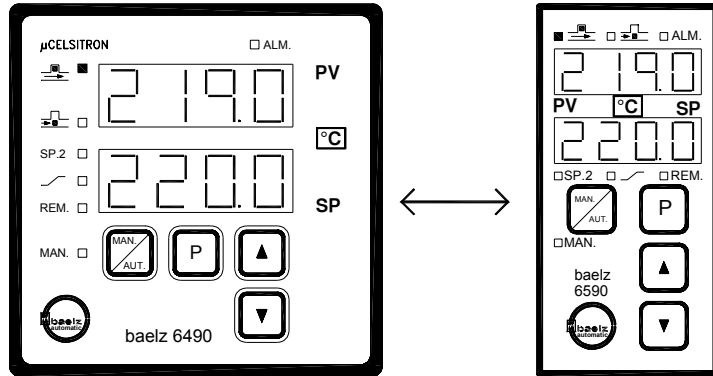
591-DN50-P21-IP86.JPG

steam conditioner with pneumatic actuator
 baelz 591-373-P21-6-Fo-S21-IP86

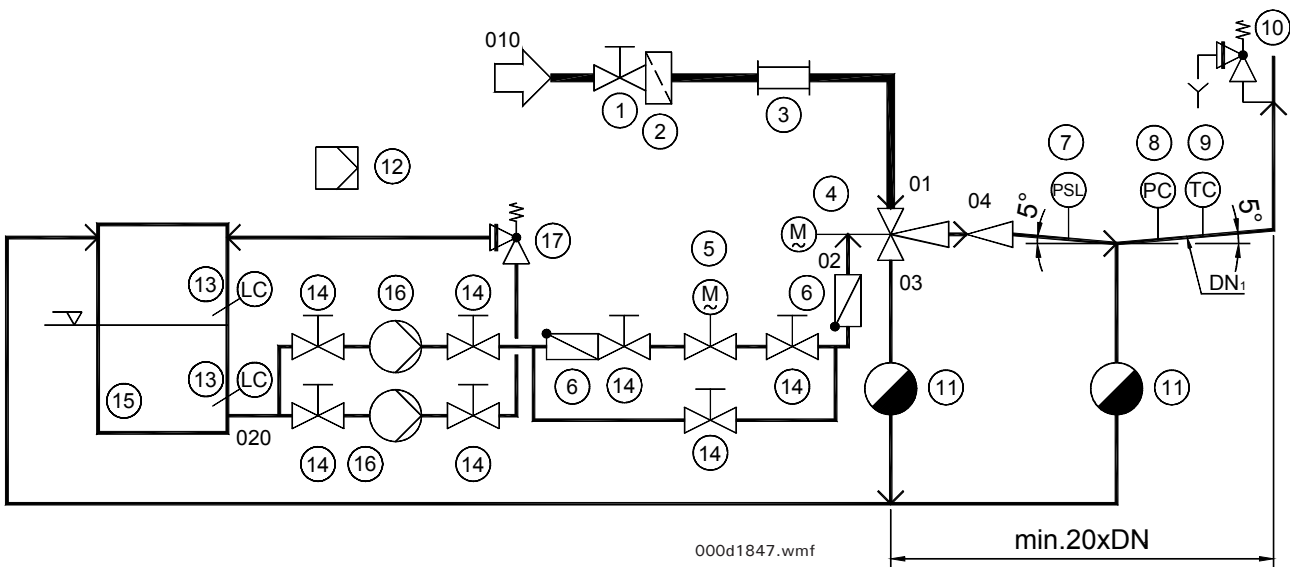
max. allowable differential pressure
 Δp_0 : bar

Bälz-vapordynamic - steam conditioner with water injection

Applications:



textile steamer with steam conditioner baelz 591 to create saturated steam atmosphere and ceiling heating to avoid condensed water droplets



desuperheater / steam conditioner with condensate tank for water injection