

Bälz-electrodyn - control valves and control actuators

21.7 Pneumatic positioner baelz 93 for pneumatic actuators

This positioner is a kind of servo control mechanism for air operated automatic control system. Can be used as a double-acting positioner as well as a single-acting positioner, because this model has a double-acting pilot valve.

Specifications:

item	baelz 93 IP 300 lever type
medium	pressure air filtered 10 micron oil free
supply pressure	1.4...7 bar
signal pressure	0.2...1 bar (split range is possible)
restoring angle (stroke)	10...85 mm
sensitivity	0.1 %
linearity	+/- 1 %
hysteresis	0.75 %
max air consumption	single-acting positioner : 10 l/min (Supply 1.4 bar) double-acting positioner: 20 l/min (Supply 5 bar)
connections	1/4" pipe connection ports 1/8" gauge ports
temperature coefficient of linearity and hysteresis	0.1 %/C
material	aluminium diecast for the body
weight	2.2 kg (without manometers)

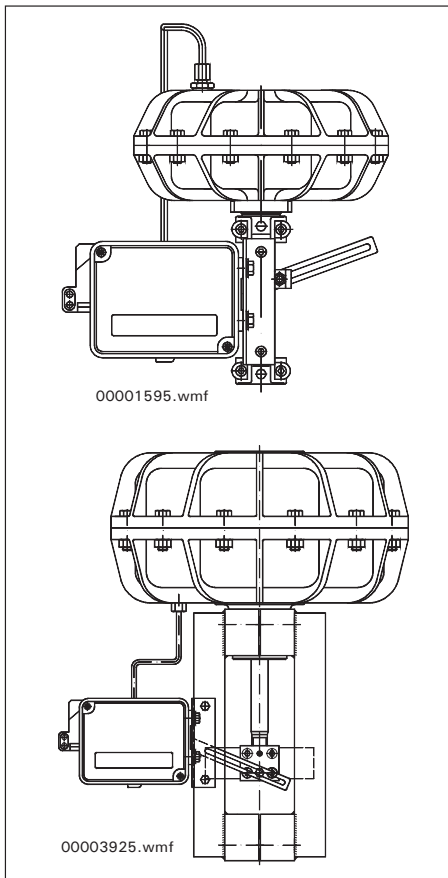


Fig. 220
baelz 373-P21-93 and
baelz 373-P31-93



Fig. 221
baelz 373-P21 with pneumatic positioner baelz 93 and
with 1 end switch

Rights reserved to make technical changes