

Bälz-electrodyn - control valves and control actuators

20.4 Actuator baelz 373-E11

Text for quotations + orders:

**Linear motorized actuator with spring-return
baelz 373-E11-Z-20-06-S21**

pulling in case of power failure

without hand operation

with thrust depending limit switches

thrust : 2000 N

actuator speed Ty : 6 mm/min. → 50 Hz

7.2 mm/min. → 60 Hz

protection class : IP 44

ambient conditions : max. 0...50°C, 0-75% r.F.

not condensing

cover : galvanized sheet steel

including actuator spindle, coupling, aluminium-yoke and fastening screws

voltage optional 230 V, 115 V, 24 V, 50/60 Hz

TÜV-tested

weight approx. 10.8 kg

**Linear motorized actuator with spring-return
baelz 373-E11-D-20-06-S21**

pushing in case of power failure

other information as baelz 373-E11-Z-20-06-S21

TÜV-tested

**Linear motorized actuator with spring-return
baelz 373-E11-Z-20-17-S21**

pulling in case of power failure

without hand operation

with thrust depending limit switches

thrust : 2000 N

actuator speed Ty : 17 mm/min. → 50 Hz

20.4 mm/min. → 60 Hz

protection class : IP 44

ambient conditions : max. 0...50°C, 0-75% r.F.

not condensing

cover : galvanized sheet steel

including actuator spindle, coupling, aluminium-yoke and fastening screws

voltage optional 230 V, 115 V, 24 V, 50/60 Hz

**Linear motorized actuator with spring-return
baelz 373-E11-D-20-17-S21**

pushing in case of power failure

other information as baelz 373-E11-Z-20-17

Accessories:

- with 2 additional way-depending limit switches (2EZ)

- with 1 incorporated potentiometer (Fg)

(200 Ω, 5 kΩ or 1 kΩ)

- with 2 additional way-depending limit switches

and 1 incorporated potentiometer (2EZ-Fg)

(200 Ω, 5 kΩ or 1 kΩ)

Extra charges:

protection class IP54 and silicon-free design

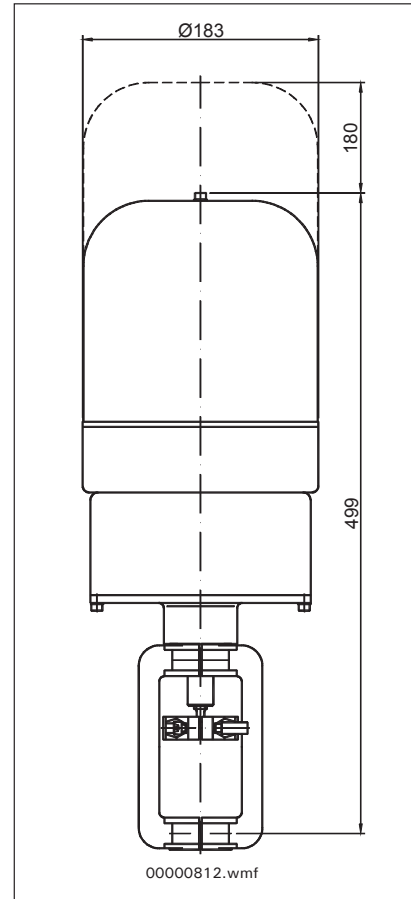


Fig. 182
actuator baelz 373-E11-S21



Fig. 183
actuator baelz 373-E11

Rights reserved to make technical changes