



## baelz 373-P31

### DESCRIPTION

baelz 373-P31 compact pneumatic linear actuators with aluminum housing EN AC-AISI9Cu3(Fe) and NBR diaphragm. For DN 150 control valves.

### TECHNICAL SPECIFICATIONS

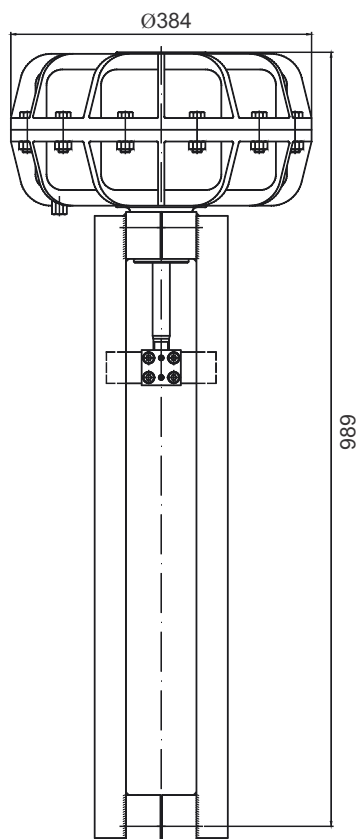
Ambient conditions: temperature: 0 ... +80° C;  
 relative humidity: 0 ... 90%  
 Max. supply air pressure: 6 bar  
 Air connection: push-in fitting for tube Ø 8 mm  
 Yoke, coupling and fasteners made of zinc plated steel.  
 Stroke: 44 mm  
 Number of springs: 3, 6, 18

### OPTIONS

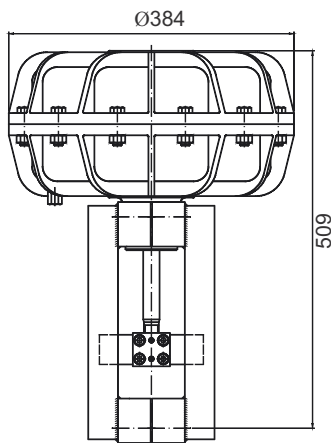
**Fo** = Spring above: spindle extended is normal position. The springs extend the spindle, compressed air retracts the spindle.  
**Fu** = Spring below: spindle retracted is normal position. The springs retract the spindle, compressed air extends the spindle.  
**Manual operation:**  
 P31-H31 - handwheel Ø 315 mm  
**Yoke options:**  
 S41 - for valve control without cooling tube  
 S41C - for valve control with cooling tube

Options					
Designation	Valve Spindle Ø (mm)	Force (N)	Min. supply air pressure (bar)	Nº. springs	Weight, approx. (kg)
P31-3-Fo/Fu-S41	Ø 22	2480	1.2	3	27.7
P31-3-Fo/Fu-S41C					31.7
P31-6-Fo/Fu-S41		4960	3	6	29.5
P31-6-Fo/Fu-S41C					33.5
P31-18-Fo/Fu-S41		10560	6	18	32.5
P31-18-Fo/Fu-S41C + H31					36.5
		-			+11

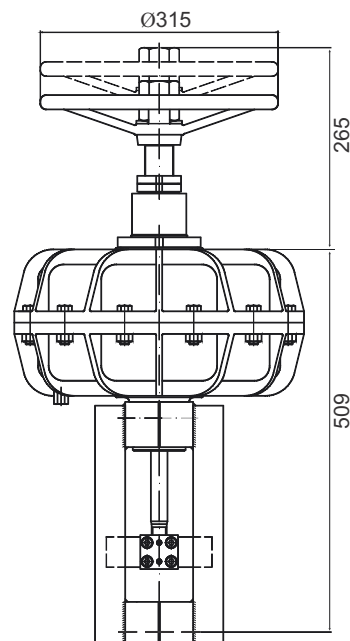
### baelz 373-P31 dimensions (mm)



Actuator baelz 373-P31-S41C



Actuator baelz 373-P31-S41



Actuator baelz 373-P31-S41-H31