

## baelz 185

### DESCRIPTION

The baelz 185 is a versatile DN 15 microflow control valve for low flow rates with integrated strainer and stainless steel housing.

Provided with 6 holes („VA“ and „VU“, page 15) with G1/2" thread, for connecting accessories:

- Pneumatic or electric actuator
- Solenoid valve
- Manual isolating valve
- Direct-acting pilot valve
- Safety valve
- Pressure sensor or temperature sensor
- Drain valve or ball valve

### TECHNICAL SPECIFICATIONS

Housing material - stainless steel 1.4021

Connection type: flange EN 1092-2; EN 1092-1 Shapes D / E / F on request.

Plug type: Tapered plug, PTFE soft seal plug. Plug and seat replaceable.

Additional options:

- baelz 260st single or double manual valves for filter cleaning
- Plug soft seal

Working fluids: water, hot water, steam

#### Leakage class (EN 1349)

metal-to-metal seal: 0.004% Kvs (better than class IV)

with PTFE plug: 0.001% Kvs (better than class VI)

Valve	Stroke	Spindle diameter
DN 15, PN 40	16 mm	10 mm

Options	Special features	T max. / P max.	Designation
<b>Plug</b>	Stainless steel (standard)	240 °C / 40 bar ... 50 °C / 40 bar	baelz 185
	Stainless steel + PTFE (PTFE)	240 °C / 40 bar ... 50 °C / 40 bar	MP185-TK-15
<b>Spindle seal</b>	V-rings in PFTE (standard)	240 °C / 40 bar ... 50 °C / 40 bar	baelz 185
	Cooling tube	350 °C / 34 bar ... 50 °C / 40 bar	MP185-K
<b>Housing</b>	Locking screws made of stainless steel 1.4401 (Standard: galvanized steel)	240 °C / 40 bar ... 50 °C / 40 bar	MP185-VA-15
<b>Flange</b>	EN 1092-1 Shapes D / E / F on request	240 °C / 40 bar ... 50 °C / 40 bar	MP185-VR-15

Actuators	Identification
Pneumatic diaphragm actuator	baelz 373-P21
Electric linear actuator	baelz 373-E07 / 373-E07-OSD/OSZ
Solenoid valve	baelz 266st, baelz 265st*
Direct acting controller	baelz 206r**

\* When used with the solenoid valve, the temperature is limited, see Chapter «Electric actuators»

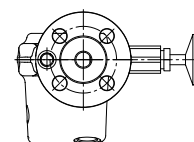
\*\* see Chapter «baelz 192 pilot-operated reducing valve ».

DN	Kvs value (m³/h)									
	15									
<b>Standard</b>	0.025	0.04	0.10	0.12	0.16	0.30	0.60	1.00	1.20	1.40
<b>With soft seal (TK)</b>	-									

baelz 185 DN15 dimensions and weight							
Model	BL	h1	h2	L1	L2	L3	Weight, approx. (kg)
	(mm)						
baelz 185	130	90	98.5	113.5	65	4	5.2
baelz 185-K	130	90	251	113.5	65	4	6.2
Additionally with a baelz 260st manual valve							+ 0.4
Additionally with two baelz 260st manual valves							+ 0.8

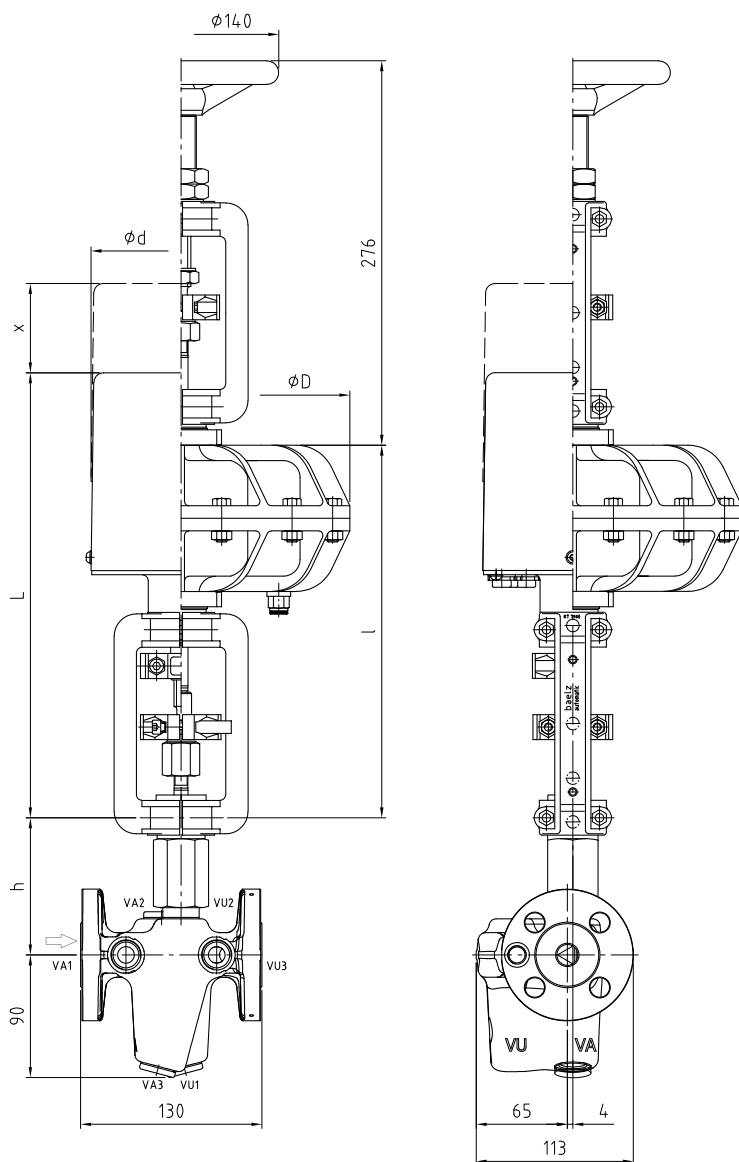
Dimensions of the baelz 373 actuators (mm)					
Designation	L	x	Ød	l	ØD
E07	320	145	129		
E07-OSX	354	145	129		
P11				244	160
P21				268	242

Electric actuators: baelz 373-E  
 Pneumatic actuators: baelz 373-P

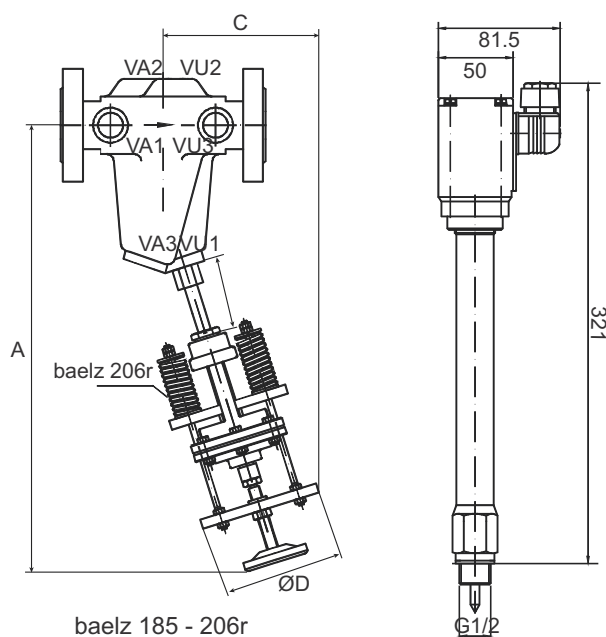


baelz 185 - 260st

baelz 185 + 206r dimensions (mm)				
L	A	C	T max	ØD max
100	450	135	110	130
200	550	165	200	130
300	650	195	300	130

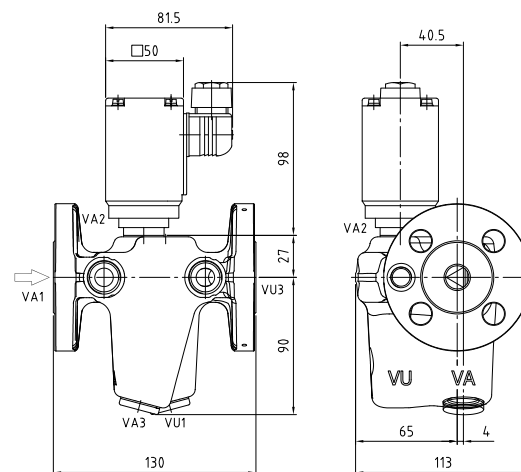


baelz 185 with pneumatic / electric actuator



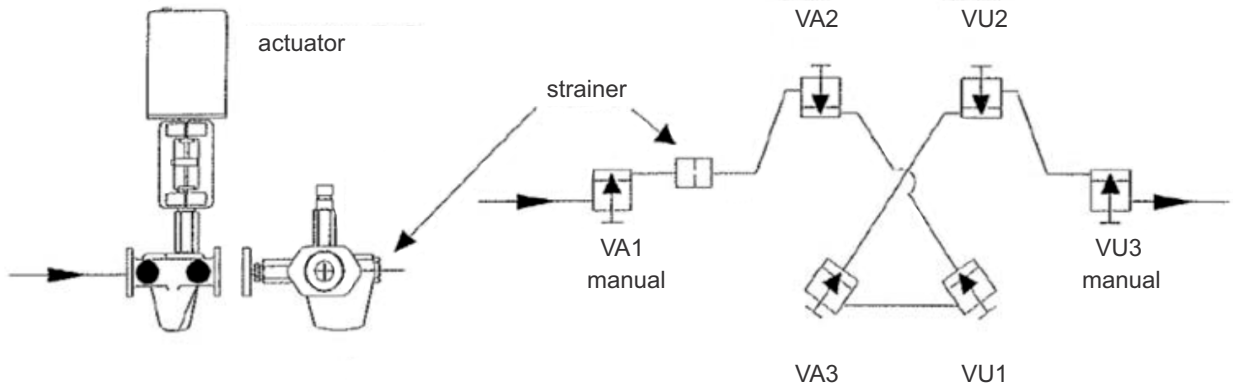
baelz 185 - 206r

baelz 265st solenoid valve

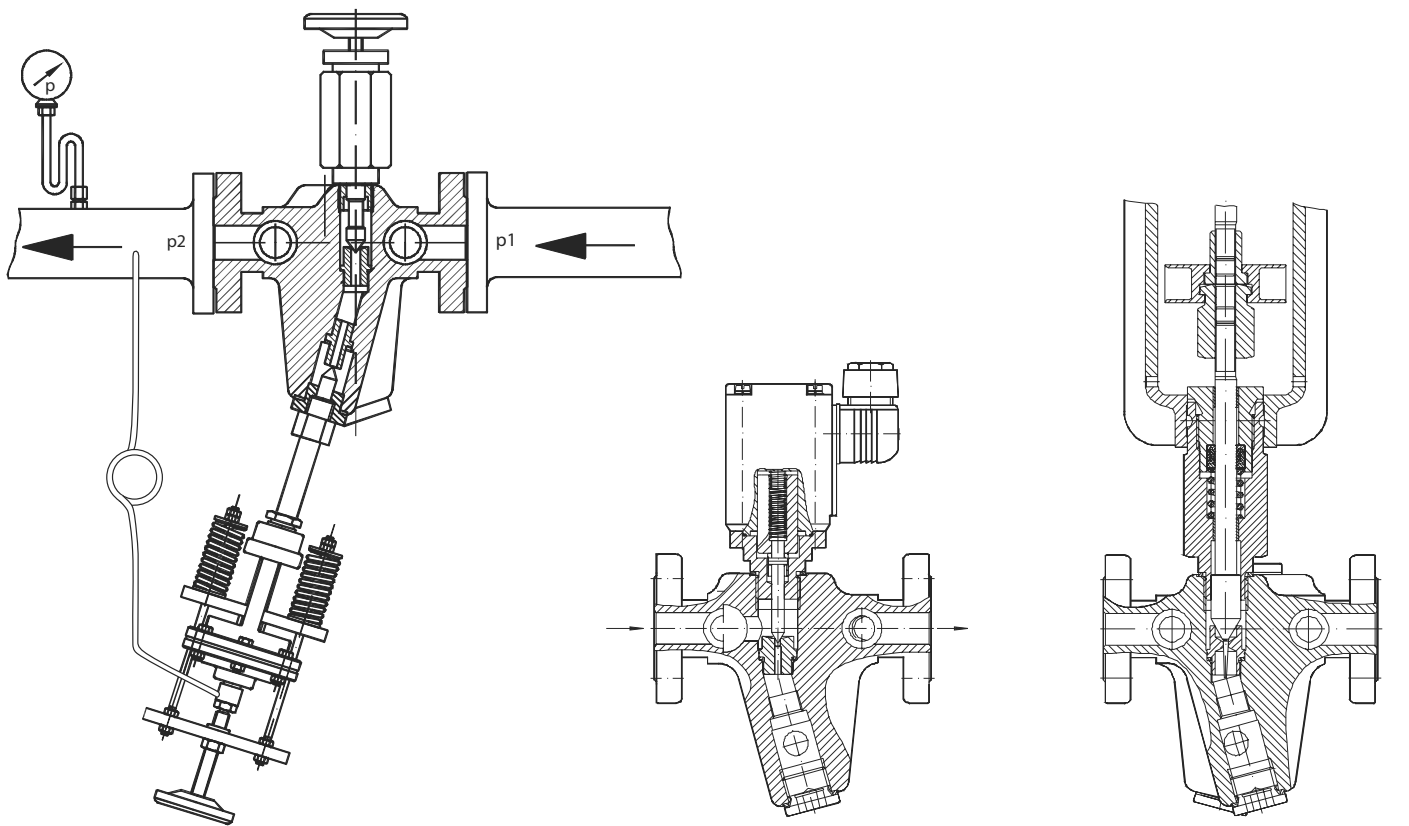


baelz 185 with baelz 266st solenoid valve

Option: baelz 185 valve with integrated manual valves baelz 260st



Sectional drawings of the baelz 185 plug



baelz 185 needle plug with 206r direct acting actuator and baelz 260st manual valve

needle plug baelz 185 with baelz 266st solenoid valve

needle plug / parabolic plug baelz 185